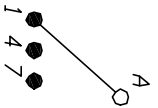
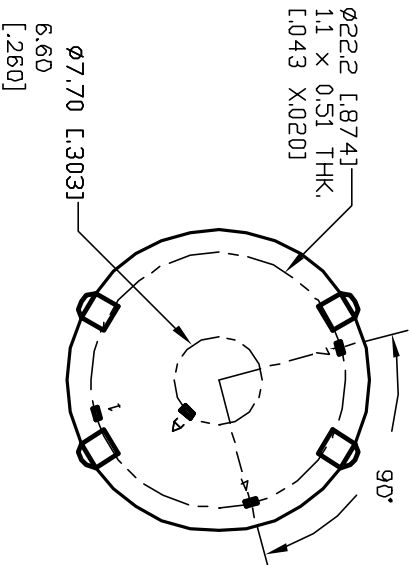
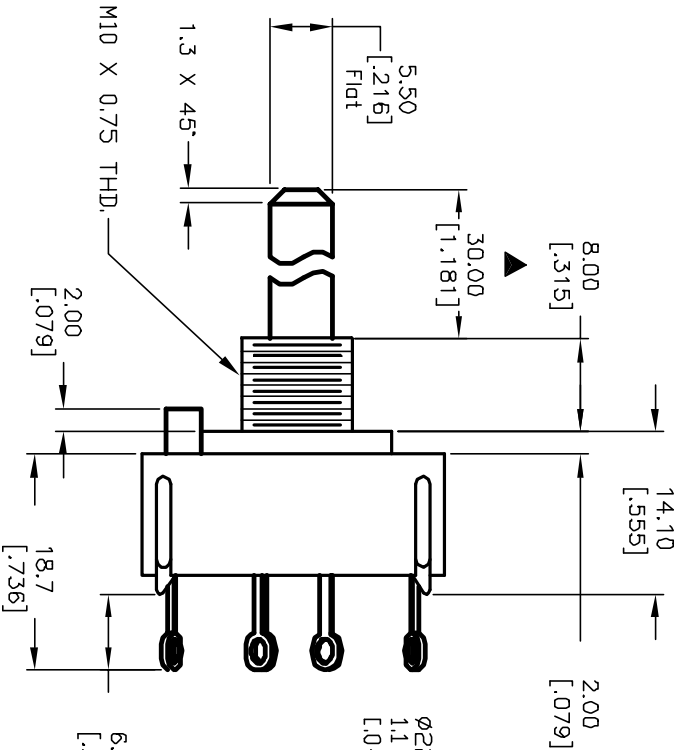
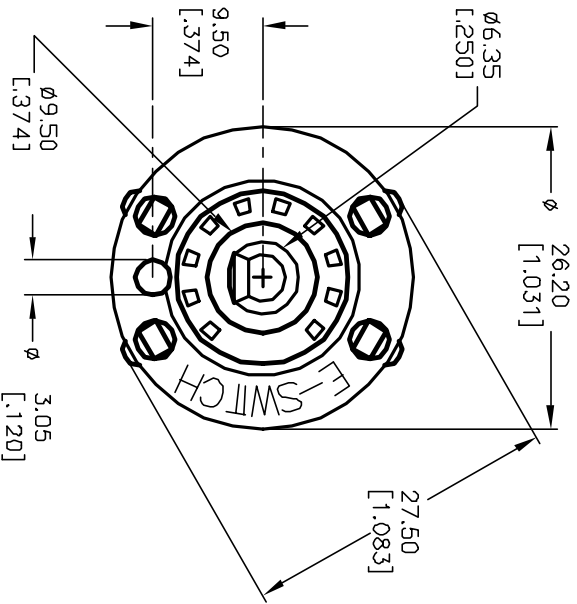
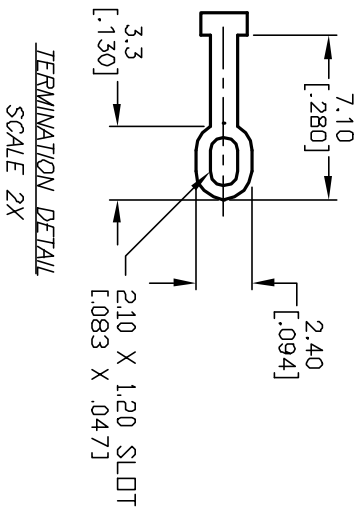


NOTES:

1. ALL DIMENSION IN MM [INCH]
2. GENERAL TOLERANCE: X.X=±0.4
X.XX=±0.25
3. TERM. NOS. FOR REF. ONLY
4. CONTACT RATING SWITCHING: 150mA, 250V AC/DC
350mA, 110V AC/DC
5. CONTACT RATING (NON-SWITCHING) 5A
6. OPERATING FORCE: 425±100 CM/STANDARD
7. OPERATING TEMP: -30° to 85°C
- ▲ 8. CIRCUIT SP: 3 POSITIONS, 90° INDEX.
- ▲ 9. DIELECTRIC STRENGTH 1000V RMS min. @ SEA LEVEL
- ▲ 10. DESIGNATE MAJOR DIMENSIONS
- ▲ 11. LOCK NUT AND WASHER NOT SHOWN.



CONTACT CONFIGURATION
TIMING: (BBM) Non-Shorting



E-SWITCH®

TITLE		SCALE		DATE		DR		DWG		REV	
KC-56-A-02-N-L-S		1.5:1		3/12/01		CJB		G510992		A	
REV.	ECN No.	DESCRIPTION	DATE	CHKD							
A	11805	RELEASED FOR PRODUCTION	3/12/01	CJB							
<p>THE INFORMATION CONTAINED IN THIS DOCUMENT IS PROPRIETARY TO E-SWITCH AND IS NOT TO BE COPIED OR TRANSFERRED</p>											